

**b**IHLE**R**

Otto Bihler Maschinenfabrik GmbH & Co. KG

# WELCOME



Dear Readers,  
Welcome to Bihler.

For over 60 years, our family-owned company stands for cutting-edge technology „made in Germany“. More than 1000 employees at home and abroad ensure with all their passion that our customers' production is successful.

Benefit from the unique Bihler technology, our high quality products, tailor-made automation solutions as well as our support. Rely on a strong partner and increase your competitive strength with us – now and in the future.

Your Mathias Bihler  
(Managing Partner)



## ONE-STOP SHOP

Bihler is your expert partner for challenging tasks! For over 60 years, Bihler has provided customers around the globe with over 12,000 technically advanced manufacturing solutions. Our success lies in the high productivity and reliability of Bihler Technology, innovation, and strong customer support.

We provide you with a wide range of first-class stamping-forming and assembling machines and turnkey solutions, with the highest Bihler quality. Including design support, extensive training, and many services all customized to meet your exact needs. Everything in a highly interactive partnership!

Located at the foothills of the Bavarian Alps, in a culture steeped in a tradition of hard work ethics, Bihler is a strong, independent reliable source in a rapidly changing global market. Our vision is clear – continuous product development in every sector of our company. Bihler innovation pushes the boundaries of manufacturing technology every day.

... AT HOME  
IN THE WORLD.



## WHERE YOU NEED US TO BE

Customer focus enjoys a preferential status at Bihler. Direct contact and constant communication have the highest priority for us. Our global network of sales agencies and subsidiaries in the U.S.A. and China ensures we are always available with first-class rapid support – at every corner of the world. The center interface for all activities is our headquarters in Halblech, Germany.



● Bihler Füssen      ● Bihler of America Inc. Phillipsburg, NJ      ● Bihler Machinery Kunshan  
● Sales agencies

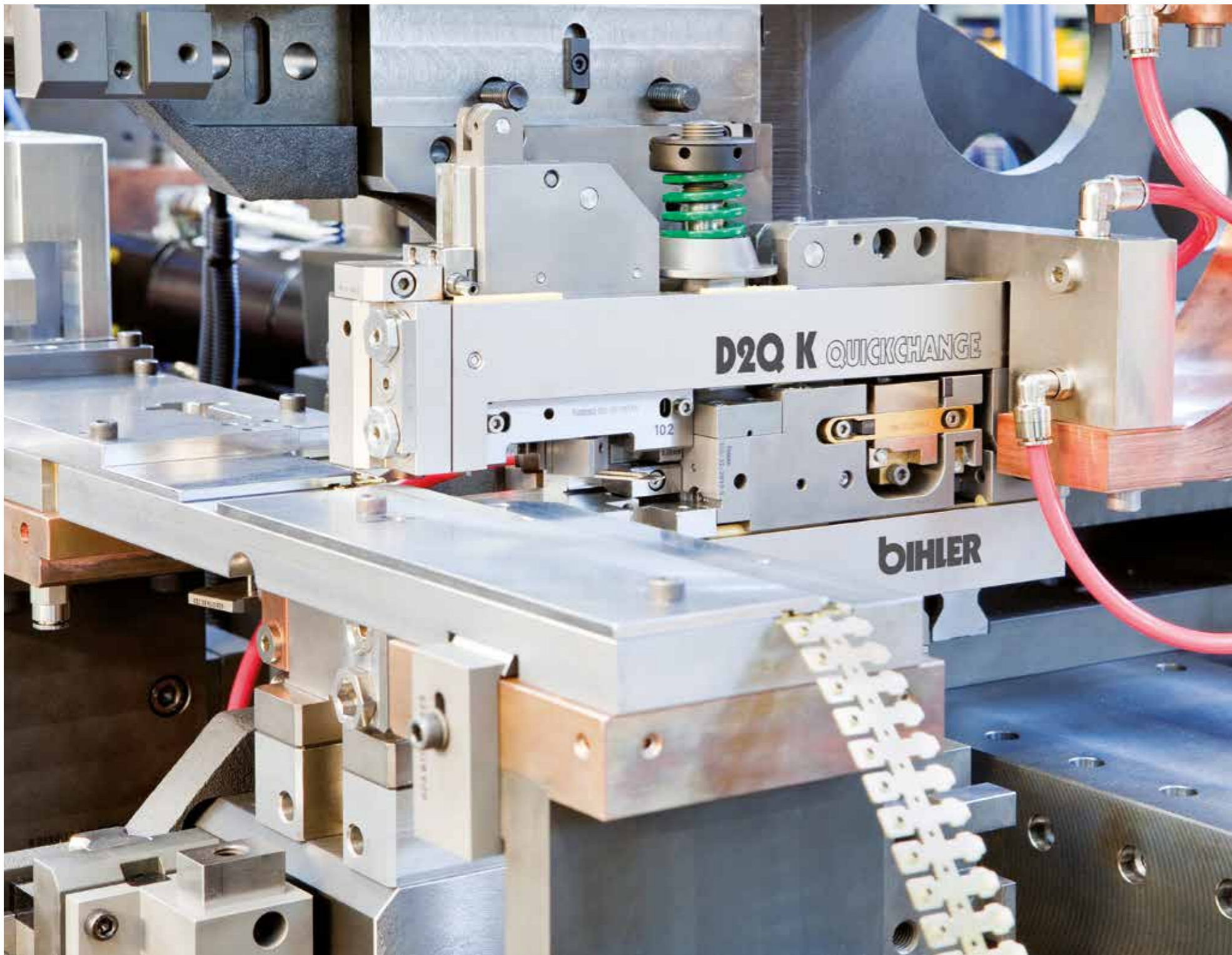


## AUTOMATION IN PERFECTION

Bihler Technology is the combination of Bihler stamping-forming and assembly techniques into one Integrated Manufacturing Process. Beginning with raw material stamping operations, Bihler integrates key technologies such as welding, tapping, screw insertion, feeding, sorting, inspection, cleaning, and packaging and much more into a fully-automated assembly solution. Bihler standard mechanical motion is combined with NC Technology, allowing each

machine to be customized to specific product requirements and still remain re-toolable for new programs. Maximizing flexibility with more value added in your production. Highest quality standards ensure reliable and cost effective production from simple component production to complex precision assemblies, in any batch size. With Bihler you safeguard your competitive edge.





## OUR CORE COMPETENCIES

### Process integration

Material feed, thread forming, screw insertion, contact welding and many more. Bihler's strength has always been the perfect interaction of the greatest possible number of processes on one machine. Thanks to their modular design, NC process modules as well as high-performance peripheral devices can be flexibly integrated into production concepts on Bihler systems.

### Welding technology

For over 50 years, we have been integrating welding processes in our automation solutions. Our strength in this field lies in resistance welding. Intelligent welding control systems and highly flexible welding devices from Bihler guarantee maximum process reliability, high productivity, and excellent welding quality.



#### **Tool technology**

Bihler Tool Manufacturing is your experienced service provider, reliable partner and expert advisor. Our experts are specialized in the manufacture and assembly of complete, high-precision tools and assemblies. We have successfully implemented more than 12,000 tool solutions for different industries.

#### **Control technology**

With our VariControl VC 1 machine and process control system, we offer an intelligent, highly flexible control platform that already meets all demands for Smart Factories. The VC 1 allows you to easily and consistently master even the most complex stamping and forming automation solutions – with all Bihler machine types.

#### **bNX 3D Technology Software**

The modular bNX technology software provides optimal support for the virtual modeling of your products as well as the development and design of Bihler stamping and forming tools. Your advantage: shortest development times, significantly lower development costs, optimized products with higher quality, and functionally reliable tools with higher output.





## FIRST CLASS SUPPORT

With 'bihlership' you are always on the safe side – in a highly interactive partnership – with Bihler as your strong partner. From the initial inquiry, production-aligned product design, detailed project studies, sample parts, complete tooling solutions, and far beyond machine installation and commissioning, Bihler is at your side. Working together we reach our destination – success.

You benefit from continuous technology developments and the transfer of Bihler Know-How. We pass on our knowledge and experience through design consultation, welding tests, and various training and project planning seminars. Our perfectly tailored support guarantees maximum productivity of your Bihler machine throughout its entire life-cycle.



## MANPOWER FOR YOUR SUCCESS

Our employees made Bihler what it is today – strong! They are the foundation of our success. Their bond with the company, their many years of experience, their high level of professional qualifications, and their daily efforts guarantee the reliability of our products.

Bihler nurtures the individual strengths of each employee. Through close teamwork, years of experience of Bihler Know-How is transferred from one generation to the next. Our Accredited Apprenticeship Program provides practical hands-on training and we encourage and assist further education for all employees in every company sector. Highly qualified employees are a priority at Bihler – they are our investment and our capital for future challenges.



## RESEARCH & DEVELOPMENT

We always question, optimize and perfect the proven. In close cooperation with customers, domestic and foreign strategic alliances, colleges, universities and research institutions, Bihler engineers continuously strive to develop new technically advanced manufacturing methods. Focusing on current and future market demands.

They test and validate product designs through material tests and material analysis, assembly process testing, welding tests, new monitoring systems and develop more efficient manufacturing processes. All innovations are introduced through ground-breaking products and incorporated into standard Bihler Technology solutions. All with the goal of continuing to offer you leading technology in the future.

# AWARD WINNING TECHNOLOGY

For over 60 years, Bihler is setting milestones in the field of stamping and forming technology. In 1957, it was the world's first stamping and forming machine, in 1987 the first software for the construction of stamping and forming tools, at the turn of the millennium the completely servo-controlled BIMERIC production system. And in 2011, Bihler was awarded the German Innovation Award for the development of the narrow band forming laser welding process (SUL).



**2016**

The standardized LEANTOOL guarantees an easier, faster and more cost-effective realization of new toolings.

**2015**

With the BIMERIC SP machine system Bihler presents new perspectives in the progressive manufacture of assemblies.

**2013**

At the 5th BihlerTEC in-house exhibition, Bihler celebrated its 60th anniversary.

**2012**

Successful launch of the world's fastest servo stamping and forming machine GRM-NC at WIRE.

**2011**

German Innovation Award 2011 and Innovation Prize for Climate and Environment (IKU) for creating the narrow band forming laser welding process (SUL).

**2010**

Winner of the EuroBLECH Award for the BIMERIC BM servo-controlled production and assembly system.

**2009**

Expansion of the successful RM Series with the RM 40K, RM 40KS and RM 40P stamping and forming machines.

**2005**

First in-house exhibition BihlerTEC in Halblech.

**2000**

The presentation of the BIMERIC – the first Bihler NC Technology Metal Forming System, excels at the EuroBLECH exhibition.

**1998**

Opening of Bihler's new Manufacturing Plant in Halblech expanding tool design, machine and tool development, and final assembly.

**1987**

Bihler introduces the world's first metal stamping and forming tool design software.

**1976**

Founding of Bihler of America, Inc. Enhanced development of the US market. Various extensions culminate in the construction of a subsidiary plant in Füssen.

**1966**

On the basis of the RM 35 and GRM 50 stamping and forming machines the Bihler Modular System incorporating welding and assembly is developed.

**1958**

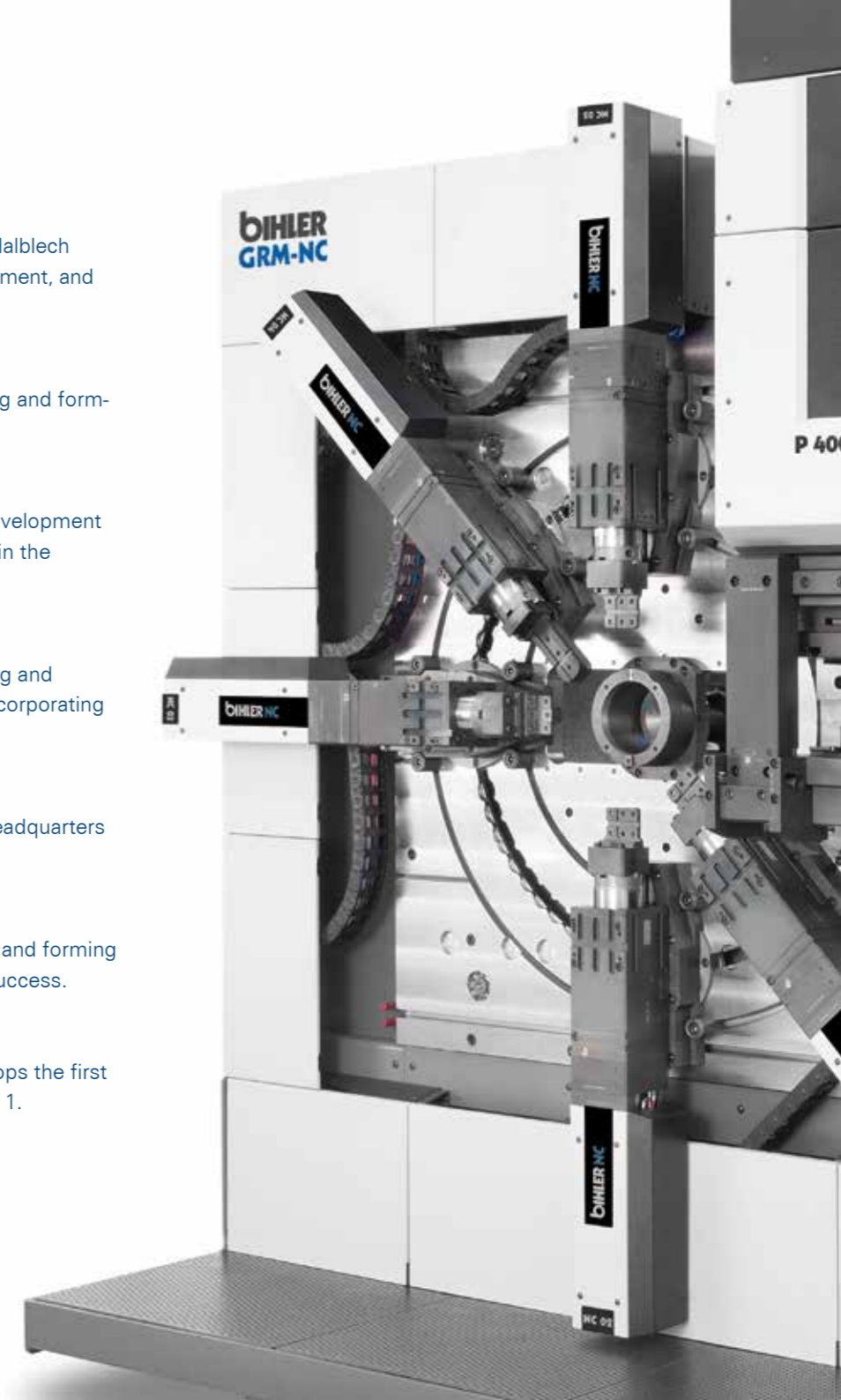
Founding of Otto Bihler Maschinenfabrik with headquarters in Halblech, Germany

**1957**

Otto Bihler presented the world's first stamping and forming machine RM 25 at the Hanover Fair with great success.

**1953**

Otto Bihler, an aircraft mechanic by trade, develops the first automatic universal springwinding machine UFA 1.





## TOGETHER INTO THE FUTURE

Pushing the limits of technology and continuing to provide the market with pioneering products has always been our strategy for success.

We are systematically working with great innovative strength to further expand our technological advantage. Our goal is to offer you highly economical high-tech manufacturing solutions for your success, now and in the future.

Challenge us. We look forward to your tasks.  
Your Bihler management

Left to right: Bernd Haußmann (CEO), Mathias Bihler (Managing Partner),  
Manfred Grundner (CEO), Martin Niklas (Partner),

“Success is achieved from using one’s abilities in connection with the best possible equipment at the right time.”

**BIHLER**

(Subject to change without notice 02/19)

Otto Bihler Maschinenfabrik  
GmbH & Co. KG

Lechbrucker Straße 15

D-87642 Halblech

Tel.: +49(0)8368/18-0

Fax: +49(0)8368/18-105

[info@bihler.de](mailto:info@bihler.de)

[www.bihler.de](http://www.bihler.de)